



References :

Dated : 03/13/2007

Page : 1 / 6

Client : TIHE SERV
Contact : Romeo Staicu
Your reference :

Your contact :
Phone :
E-mail :

Roof top SPACE RPC 315Z R407C MA00

Independant roof mounted unit, cooling only, ready to be installed, designed for air conditioning of large volumes for industrial or commercial use.

As per Brochure N 99.09B

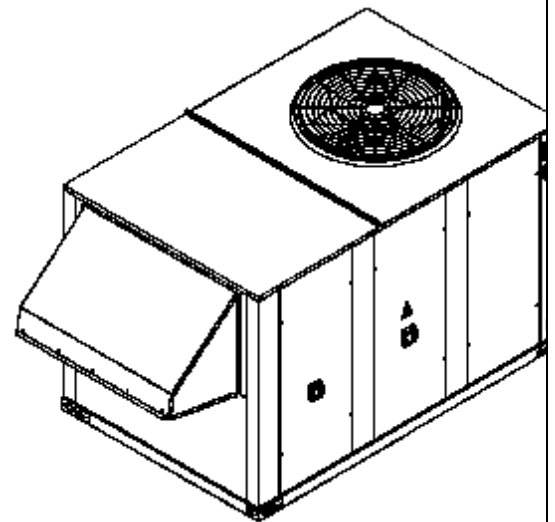
MA version : Motorized fresh air introduction register for "free cooling operation + recovery axial fan and extraction register for "room overpressure" control.

Total cooling capacity : 82.5 kW
Mixing temperature DB/HR : 28.9 °C : 50 %(RH)
External temperature : 35.0 °C

Heating capacity/gas burner : 112.0 kW

Discharge air flow : 14000.0 m³/h
Available static pressure : 35 mmWG
Impeller rotation speed : 800 rpm
Refrigerant fluid : R407C

Supply voltage : 400V / 3ph 50Hz
PED 97/23/EC : Category II



Description	Quantity	
SPACE RPC 315Z R407C MA00	1	
• Temperature control - MRS2.2A	1	INCLUDED
• Stop Drop kit	1	INCLUDED
• Base with 100 Kw gas burner incorporated + air flow controller	1	INCLUDED
• MRS2.2A regulation	1	INCLUDED
• Assembly 00	1	INCLUDED
• High pressure equipment	1	INCLUDED

As per our general sales conditions in your possession

Validity of prices : 1 month

Refrigerant information :

CE N°2037/2000 (JO CE 29/09/2000) European Norm does not allowed HCFC use anymore for all EEC countries from : 01/01/2004



**COMPLETE PERFORMANCES
ROOF TOP SPACE RPC 315Z R407C MA00**

Refrigerant fluid : **R407C**
Number of refrigerant circuit(s) : 2
Number of hermetic compressor(s) : 2
Capacity control 2 stage(s) : 100-50-0 %

SUMMER OPERATION

Total refrigerant output supplied : **82.5 kW**
Sensible refrigerant output supplied : 55.0 kW
Total absorbed output : 35.3 kW
Return air temperature db/hr : 25.0 °C; 50.0 %(RH)
Mixing temperature db/hr : 28.9 °C; 50.0 %(RH)
Discharge temperature db : 16.8 °C
External temperature : 35.0 °C

WINTER OPERATION

Gas fired burner heating capacity : **112.0 kW**
Air jet (French regul. ERP>70KW gas) : With
Type of gas used : 20 mbar natural gas
2 speed burner : 0 - 50% - 100%

AIR HANDLING UNIT

Discharge air flow : 14000.0 m³/h
Fresh air flow : 5600.0 m³/h
Duct available static pressure : 35 mmWG
Motor(s) absorbed power : 5.50 kW
Fan rotation speed : 800 rpm
Filter thickness : 25
Efficiency : G3

EXTERNAL SECTION

Number of propeller fan(s) : 2
Air flow : 23000.0 m³/h
Unitary motor power : 0.95 kW
Rotation speed : 880 rpm

Supply voltage : 400V / 3ph 50Hz
Maximum nominal current (except electrical heater) : 87.0 A
Starting current : 173 A



SELECTED MOUNTED		
<p>Recovery - Discharge</p> <p>I = Discharge R = Recovery E = Air extraction N = Fresh air</p>	<p>Mx wy denomination</p> <p>MA : axial recovery fan; 3 dampers : Recovery/fresh/extracted air w : Recovery air direction (0 / 1) y : Discharge air direction (0 / 1)</p>	<p style="text-align: center;">MA00</p>

DIMENSIONS AND WEIGHT		
Length : 2,600 mm	Width : 2,108 mm	Height : 2,464 mm
Empty weight : 1,660 kg		Operating weight : 1,660 kg



TECHNICAL DESCRIPTION ROOF TOP SPACE

Unit in accordance with directives :

- Machines (89/37 CEE modified)
- CEM (89/336 CEE) 92/31 CEE - 93/68 CEE
- 73/23 CEE 93/68CEE
- PED 97/23/EC : Category II

Unit in accordance with norms :

- EN 60-204 - EN 378-2

MAIN COMPONENTS

Unit with propeller or Scroll hermetic compressor(s) (for the sizes 185& 376) MANEUROP
Internal protection of windings
Oil crankcase heater
Thermostatic expansion valve
Dryer
Cycle reverse valve (IPC)
Pressure pick-ups for HP and LP manometers
Anticorrosion casing in galvanized sheet metal covered with polyester and varnish base lacquer
Removable electrical panel and filter access panels
External and internal coil with undulated aluminium fins and copper tube
Centrifugal discharge fan driven by motor on adjustable seat and belts and pulleys transmission
Propeller external fans ZIEHL6ABEGG with protection grilles
Filters G3 (standard) with metal frame, M1 fire classification
Main safety switch
Protections offans and circuits by circuit breakers
Electrical panel with wiring under channel, conform to norms NF C15100 and EN 60204
Acoustic cover(s) on compressor(s)
Automatic rocking of condenser fan low speed to high speed as a function of the condensing pressure.

AVAILABLE VERSIONS

Version M0 : All recovery air operation

MT version : Fixed fresh air introduction register

MS version : Motorized fresh air introduction register for free cooling operation

MA version : *Motorized fresh air introduction register for free cooling operation + axial recovery fan and extraction register for room over-pressure control*

Version MC : Motorized fresh air introduction register for free cooling operation + recovery centrifugal fan and motorized extraction register for room overpressure control.

CONTROL SYSTEM MRS2.2A

Control

- Heating, cooling, free colling, extraction, air quality regulation
- Anti-short cycle
- Defrosting (IPC)
- Economizer (free cooling) by temperature or enthalpy comparison
- Discharge temperature control in cooling mode
- Anti-frost protection of premises
- Unoccupancy, setting lowering, shedding functions

Communication

Control and display panel visible from outside by a port hole

- Access to parameters



- Settings modification
- Controls, run-stop, heating, cooling
- Permanent display of air temperature
- Visualization via red, green and orange display lights of all the fault and operating status
- Lamps test

Available remote controls terminal box

- Run-Stop
- Unoccupancy
- Drift of settings
- Cooling, heating
- Shedding

Teledisplay terminal box

- Main faults
- Filters fouling

Other characteristics

- Faults memorization in case of cut supply
- Anti-lightening protection

AVAILABLE MRS OPTIONS (cf if options retained page 2 or 3 of the offer)

- Temperature comparison : free cooling operation by temperature comparison
- Enthalpy comparison : free cooling operation by enthalpy comparison
- Room air quality sensor : Fresh air introduction modulation as a function of CO2 ratio in the room (not compatible with the enthalpy comparison option)
- Duct air quality sensor : Modulation of fresh air introduction as a function of CO2 ratio at intake (not compatible with enthalpy comparison option)
- Remote control kit :

Control can be carried off course up to 1200 m and will allow :
Run/Stop.

Visualization of the operating status

Temperatures reading at intake or in the room and setting modification

- Room sensor kit : positioned in the room, it replaces the sensor mounted at intake
- Programming clock : it allows a daily an weekly programming of the air conditioner operation

CHARACTERISTICS OF EQUIPMENTS

KIT "Stop Drop" ON FRESH AIR INTRODUCTION

(Delivered separately and to be mounted on site).

- Depending on the siting place of the unit this kit will allow, simultaneously, a pre-filtration of the fresh air and will prevent a water infiltration due to fog or rain.

HIGH PRESSURE EQUIPMENT

(factory mounted)

- This equipment permits a fan operation for non standard zones (bigger size transmission and motor).

GAS BASE

- Base with integral gas fired burner, adaptable on the SPACE roof tops with vertical discharge (sizes 155 to 960).
- High efficiency atmospheric burner
- Easy to install.
- Adjustable to the roof slope - Except models ERP with air jet -
- Construction : Thick galvanized steel with double wall insulation on discharge compartment.
- Operation with natural gas G20 or G25 (20 mbar) or Propane (37 mbar)



References :

Dated : 03/13/2007

Page : 6 / 6

- 2 speeds 50 or 100%
- EC certification
- Electronic lighting
- Valve and safety pressostat integrated
- Supplies : propane kit; nuts and bolts + gaskets, users' brochure.
- Not supplied : gas regulator

**Unit delivered in operating order, settings and tests made in factory before delivery.
Design and manufacture following ISO 9001 certification**